



RL-50mm-ICRGB

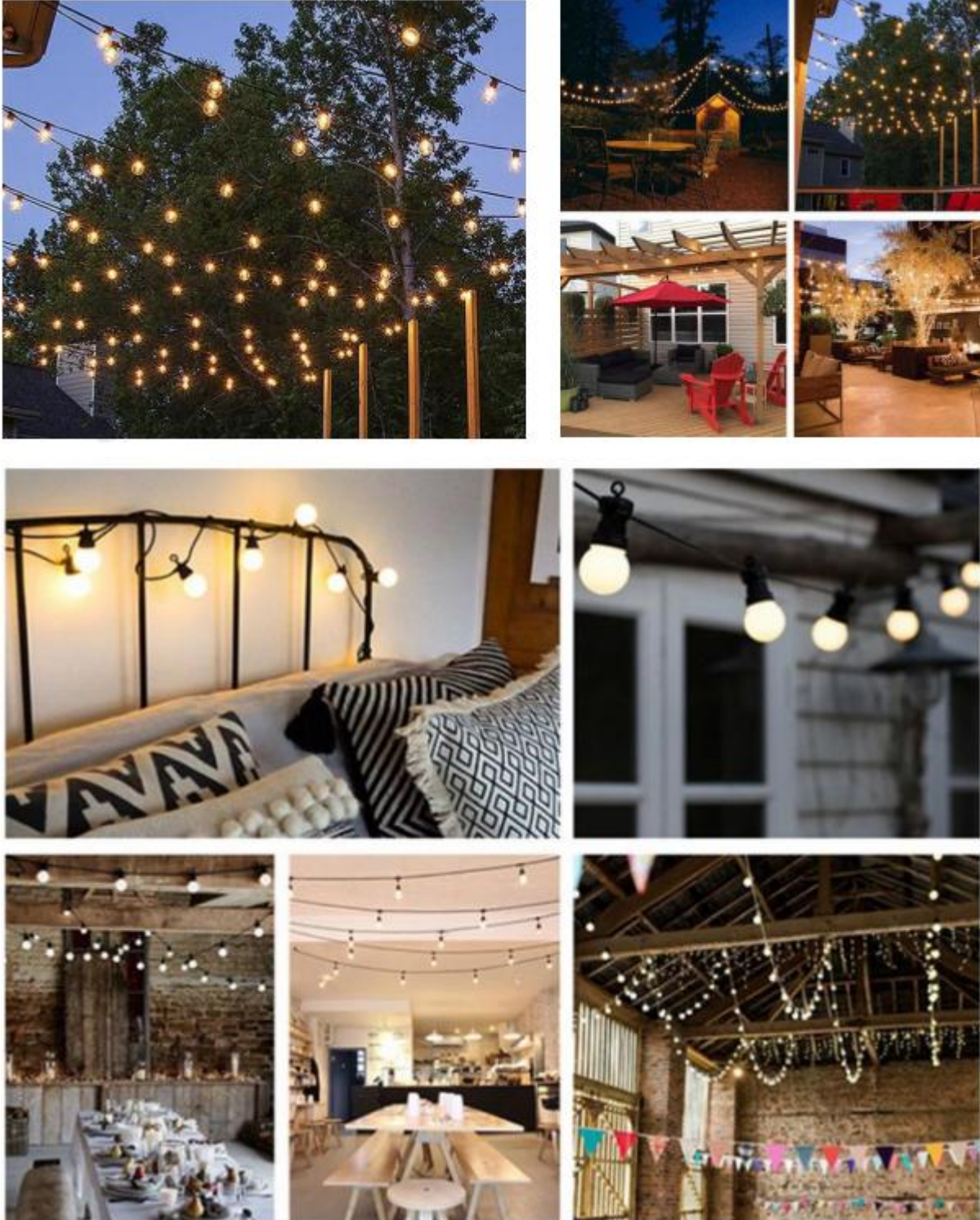
Specifications

Picture	Dimension	Parameters	
		Input voltage	DC 12V
		Lamp power	0.72W
		Chip	Dmx512 or SPI
		LED chip	Osram3535 RGB led
		LEDs number	3
		Color	RGB programmable
		IP rating	IP67
		Beam angle	≥140°
		Lifespan	≥50000h

Features

1. This product is made up of PCB and PET cover ,and a couple of 5-pins male and female connectors. As well as a series of gluing process to ensure good water and UV resistance.
2. It is a RGB programmable product, can achieve many different light effects by using a LED controller .
3. The features of this product are high brightness, low power dissipation, long lifespan, low voltage decline and excellent thermal management and lumen maintenance.
4. Customized requests are available, for example: logo, waterproof connectors, transparent or milky cover, and length of cables.
- 5.The product adopts SMDRGB 5050 high-brightness lamp beads, and the light-emitting angle is large.
Using OSRAM original lamp beads, with good light color consistency,
- 6.Good light efficiency and high stability.
- 7.Using PET light bulb + PVC injection molding lamp holder with high waterproof grade.
- 8.Ultrasonic machine casting technology seamlessly glues against insects, moisture and dust.
- 9.The wire and shell are made of cold-resistant, UV-resistant and flame-retardant materials, suitable for long-term Period of outdoor use.

Applications



1. Amusement Park Rides Light

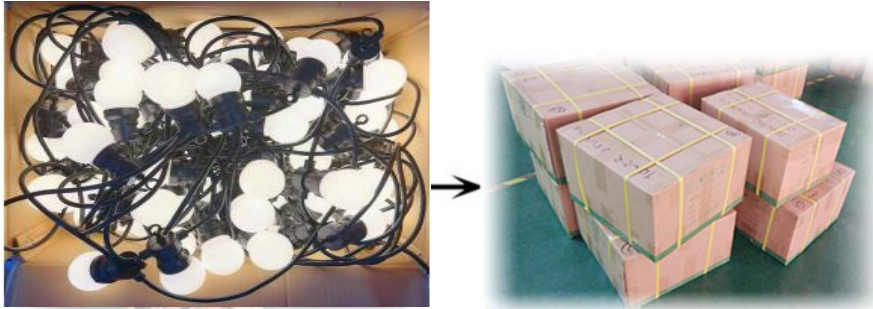
Ferris wheel, Carousels, Pirate ship, Pendulum, Bumper car, Tower and so on.

2. Advertisement Outdoor Signboard Backlight

Logo, Signage, Channel letter, Signs, Exposed luminous characters, Billboard and so on.

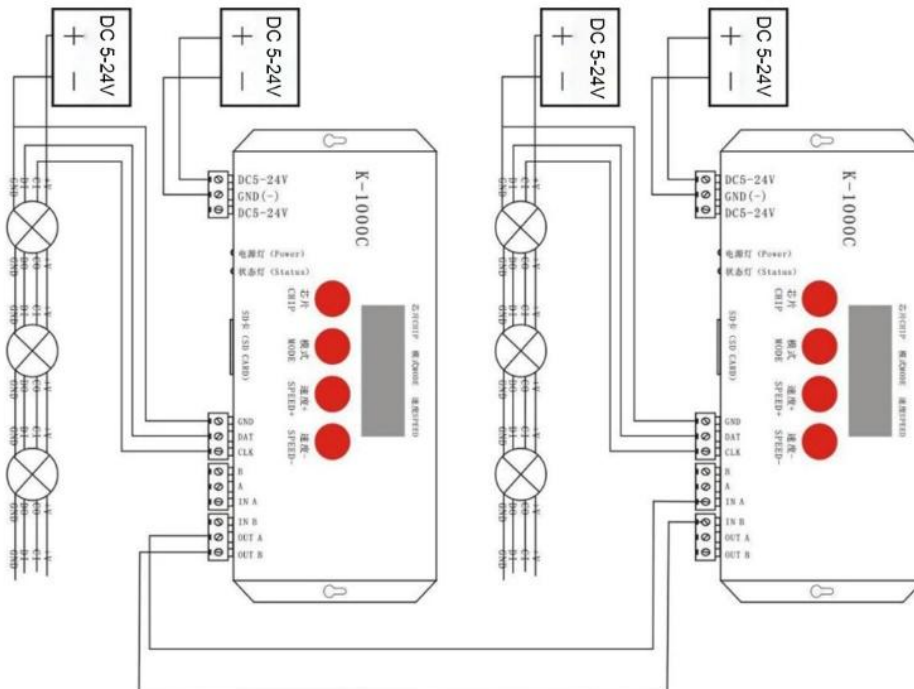
3. Stage Decoration Light
KTV, Disco, Bar, Night club and other stage light.
4. Commercial Light
Hotel, Shopping mall, Theater, Square and so on.
5. Kids Rides Decoration
Castles, Robot, Mini carousels, Car, Mini train etc.

Packing & Weight



Weight/100pcs	Pieces/bag	Pieces/carton	G.W/carton	Carton size
1.4kg	100pcs	1000pcs	18.1kg	46.5cm*46cm*28cm

Connection



Notes:

1. Male connector (with pins) is signal input port, female connector (without pins) is signal output port.
2. We suggest that every 20pcs lights connect to the power supply in parallel to avoid voltage decline.
3. One controller can only support up to 2000 pixels, more than 2000 pixels, you need to cascade with multiple controllers.