

# 50mm dmx512 Pixel led source Lighting



## 产品特点 Features

- 自主知识产权，专利外观设计，工程项目专用
- 采用SMD3535RGB高亮全彩灯珠，发光角度大
- 采用PU胶灌胶，不易开裂，产品防护等级高
- 线材及外壳选用抗寒、抗UV、阻燃材料，适合长期户外使用
- Independent intellectual property rights, private model design, dedicated to lighting engineering projects
- Adopt SMD3535RGB high-bright full-color lamp beads with large illumination angle
- Adopt PU glue filling glue, which is not easy to crack and has high product protection grade
- The wire and shell are made of cold-resistant, UV-resistant and flame-retardant materials, suitable for long-term outdoor use

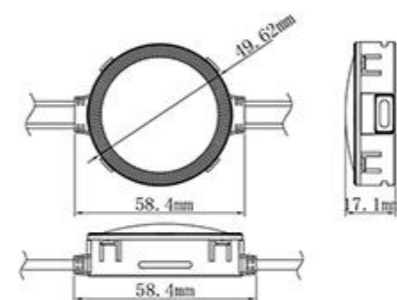
## 应用范围:

用于多栋楼宇立面媒体屏联动的大型城市景观  
用于高层楼体、桥梁等大型建筑物的装饰照明  
用于户外、场馆、星级酒店、公园等景观照明

## Application:

Large urban landscape for linkage of multiple building facade media screen  
Decorative lighting for large building such as high-rise building and bridge  
For outdoor lighting, outdoor venue, high-level hotel, park, etc

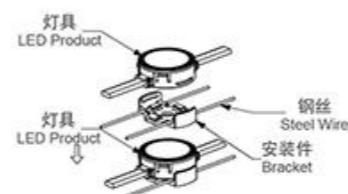
## 尺寸图 Size chart



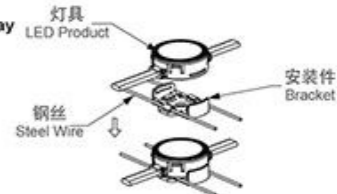
## 应用安装示意图

Application installation schematic diagram

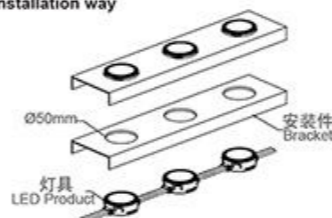
### 安装方式一 Installation way



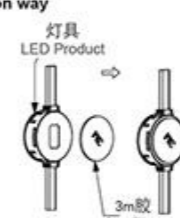
### 安装方式二 Installation way



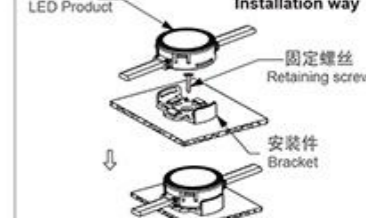
### 安装方式三 Installation way



### 安装方式四 Installation way



### 安装方式五 Installation way



## 技术参数

technical parameter

光源品牌 light source:	晶元/Cree/Osram	工作电压 Working voltage:	DC24V
灰度等级 Gray level:	256 / 65536	额定功率 Power:	1.3W/1.4W/1.8W
发光角度 Beam angle:	> 120°	控制方式 Control mode:	DMX/TTL/常亮
灯具尺寸 Lamp size:	φ 49.6*17.1*58.4mm	外壳颜色 Shell color:	灰色/黑色/可订制
灯珠类型 Led type:	3535RGB/2835White/R/G/B/Y	灯具寿命 Lamp life:	> 30000H
外壳材料 Housing material:	工程塑料	防护等级 Protection level:	IP68
工作温度 Working temperature:	-20℃至60℃	阻燃等级 Flame retardant grade:	94-V0
使用环境 Working environment:	楼体轮廓/楼面亮化/炫彩屏	电气安全等级 Electrical safety level:	III级