

Addressable LED Music Controller for ws2811,sk6812 ,ucs1903 ,apa102 ,ect



产品优势展示

一家集研发，生产和销售为一体的高新技术企业

1

国内新款WIFI音乐控制器





1. specification

- 1) Long distance APP remote control via wifi
- 2) Support almost every kind of one-wire or two-wire LED driver IC ;
- 3) Brightness adjustable, With 252 kinds of patterns +Voice adjustable pattern,
- 4) two outputs(each output able to control up2000 pixels ,the max Pixels quantity 4,000pcs, With speed 30 s frames
- 5) support multiple controllers cascade,485 cascade synchronization
- 6) 32-level speed adjustable
- 7) LED sequence can be adjustable
- 8) With memory function
- 9) Support Audio Plug
- 10) Working voltage:Dc7V-24V
- 11) Size: L120mmXW70mmXH24mm
- 12) Packaging:L122*W75*H3 (unit:mm)
- 13) Gross weight:0.2kg

Screen Print Meaning

ANT: antenna

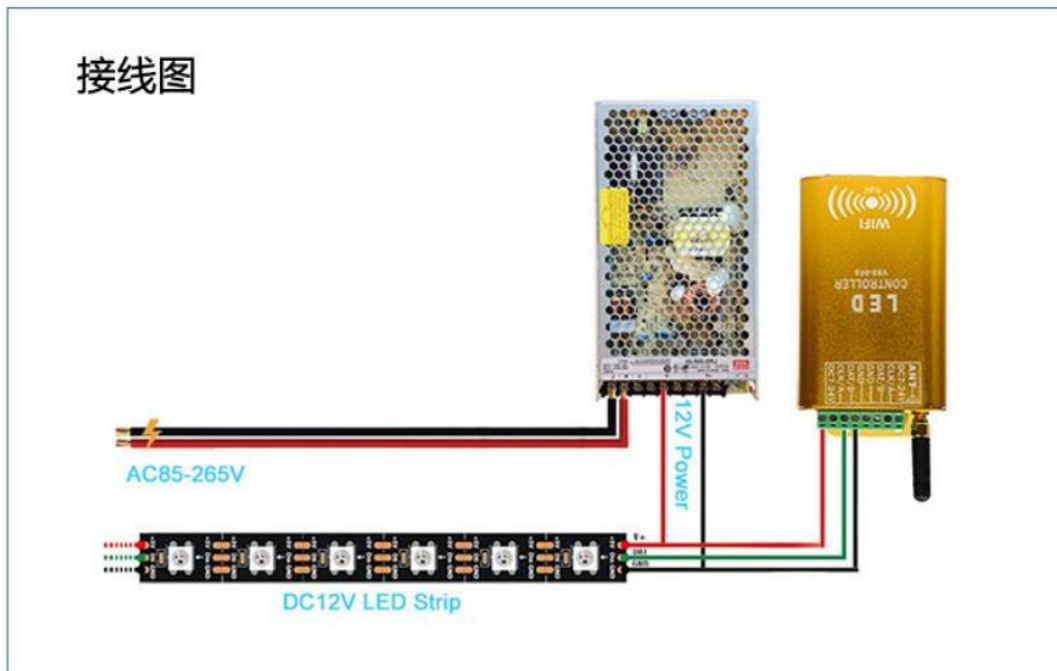
DC7-24V : Power Input (wide range working voltage)

CLK/A:Data

DAT/B:Clock

GND :Negative Electrode





Instructions:

- 1) make sure right wiring and power on, the status indicator flash



- 2) Open the phone or Ipad wifi to search VSSxxxxxxx and connect it
- 3) App Icon



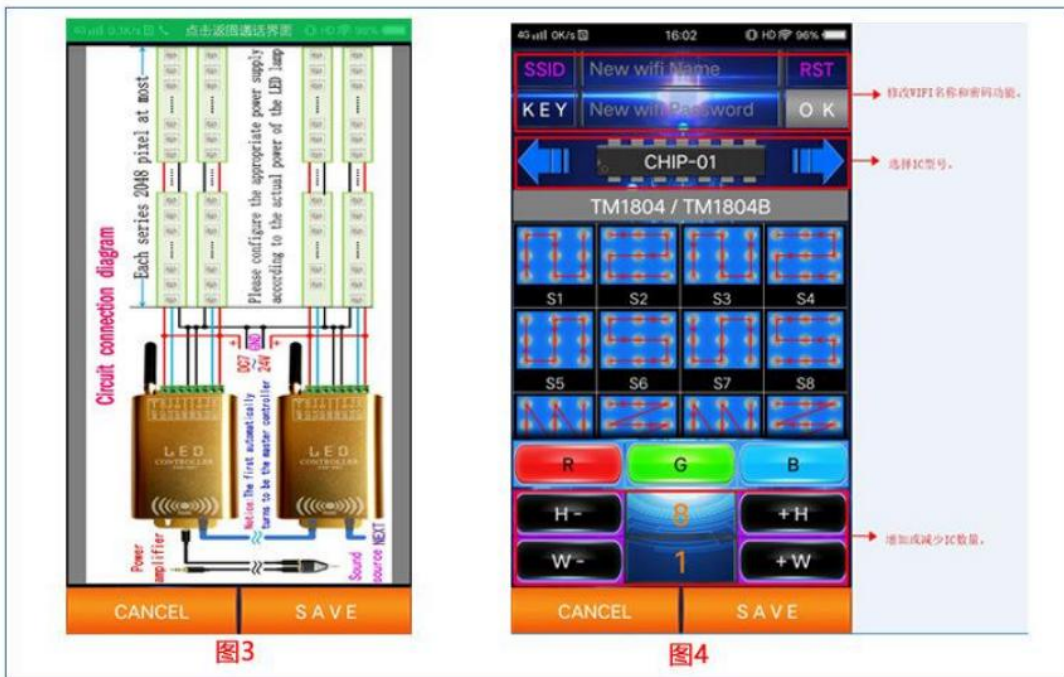
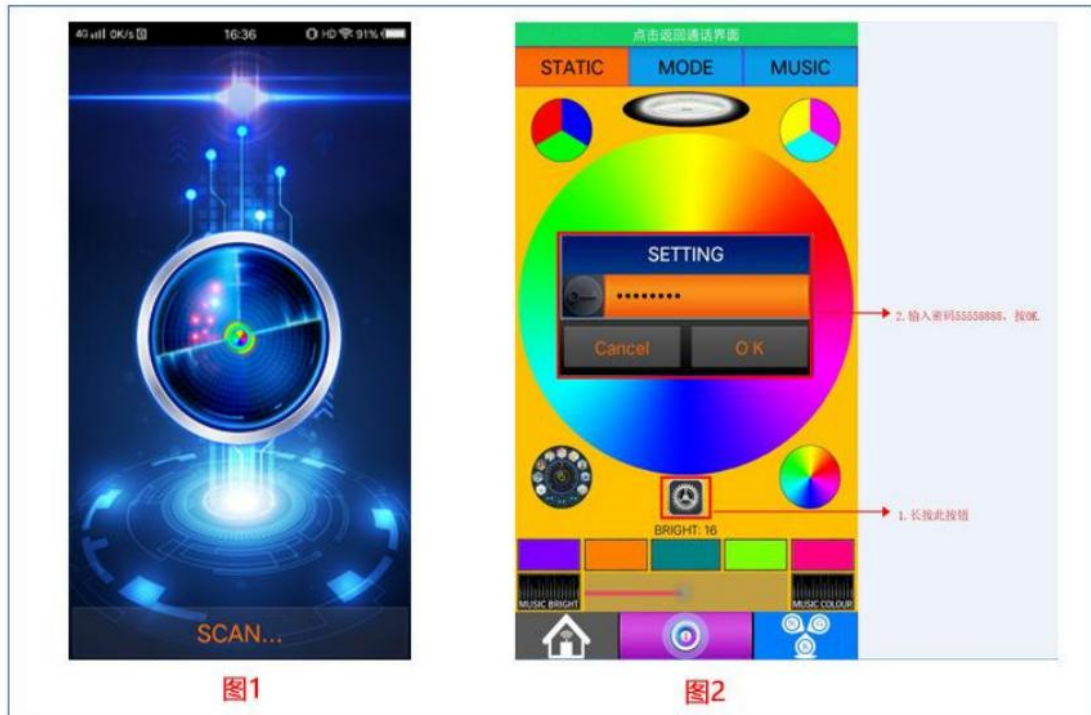
- 4) Open the APP to get into hardware scanning status (picture 1), the controller will show (picture 2)

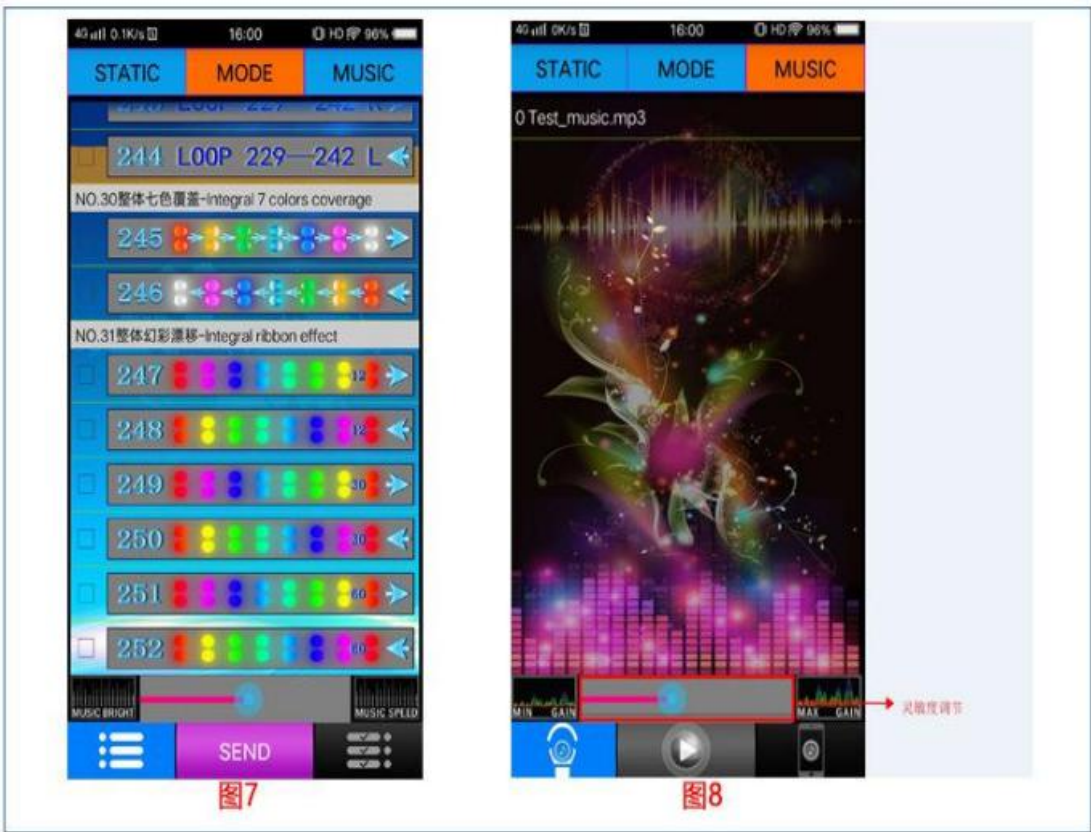


- 5) Press the set button and type password 5558888 (picture 2) and forget the (picture 3) to enter setting page to set Lighting Parameter Page (picture 4)
- 6) Rename the wifi name and password and choose IC type and change the IC quantity or other functions ,
- 7) Main page (picture 5)
- 8) Mode: 252 patterns (picture 6 - picture 7)
- 9) Music: entering Music player Page , Sensitivity adjustable

Application:

Pixel led strip, Pixel led dot ,Pixel led panel,digital led and pixel led ring ,ect





Web: <https://www.rose-lighting.com>

Email: info@rose-lighting.com

T: +86-186-7564-9004 (wechat ,whatsapp ,QQ)

Address:3F, DA DONGMING SCIENCE AND TECHNOLOGY PARK, YUEQUN ROAD,GONGMING TOWN,GUANGMING NEW DISTRICT,SHENZHEN, CHINA